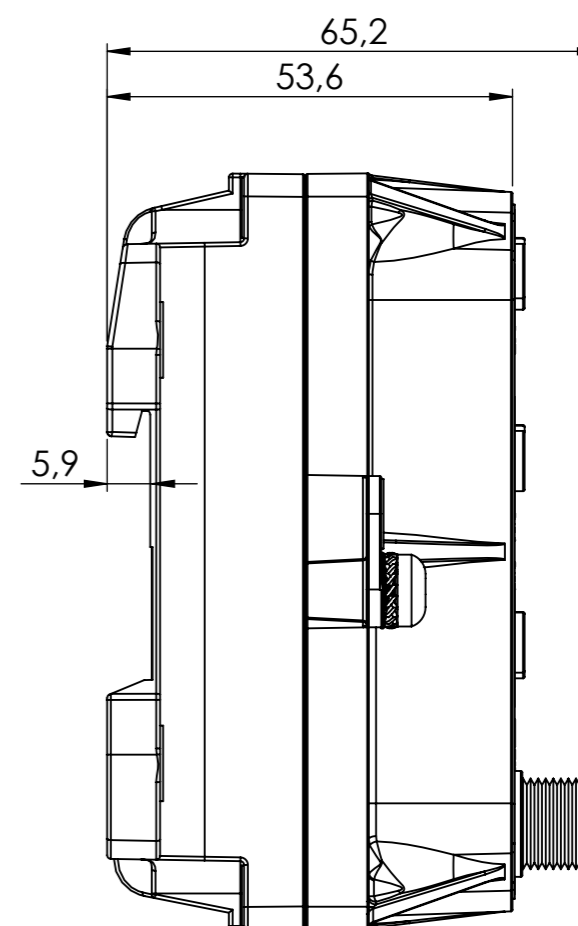
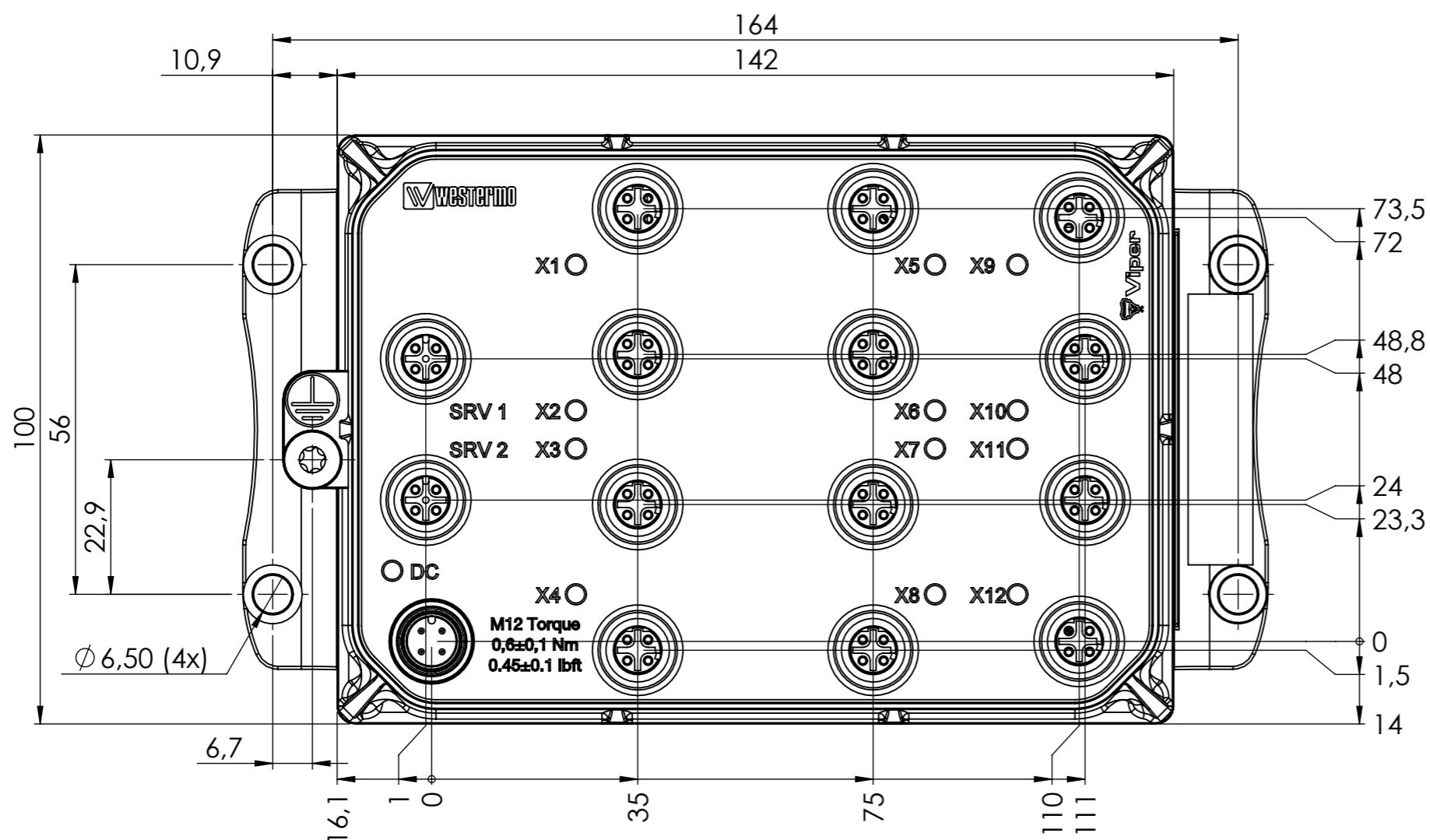
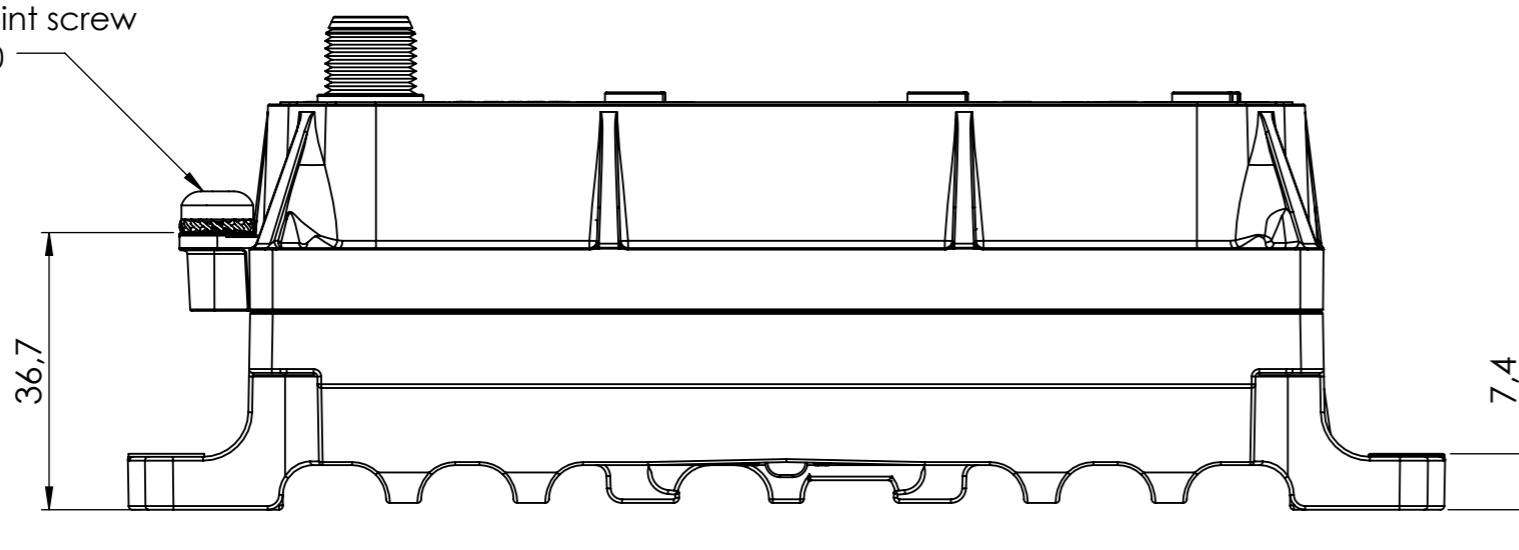


REVISIONS

Rev	Description	Designer	Approved	Date
03	Redrawn from old CAD-system 3641-0540-UD-03 was 3641-0540-U-02.	KTN	KLI	2020-04-15

Grounding point screw
M5x10



Material/Notes		Notes		Tolerance ±1 mm	
		Denomination Viper-12 Dimensional Drawing		Designer	Approved
				KTN	KLI
Drawing No. 3641-0540-UD-03		Date	Scale	Sheet	
		2020-04-15	1:1	1(1)	
Status			Approved		