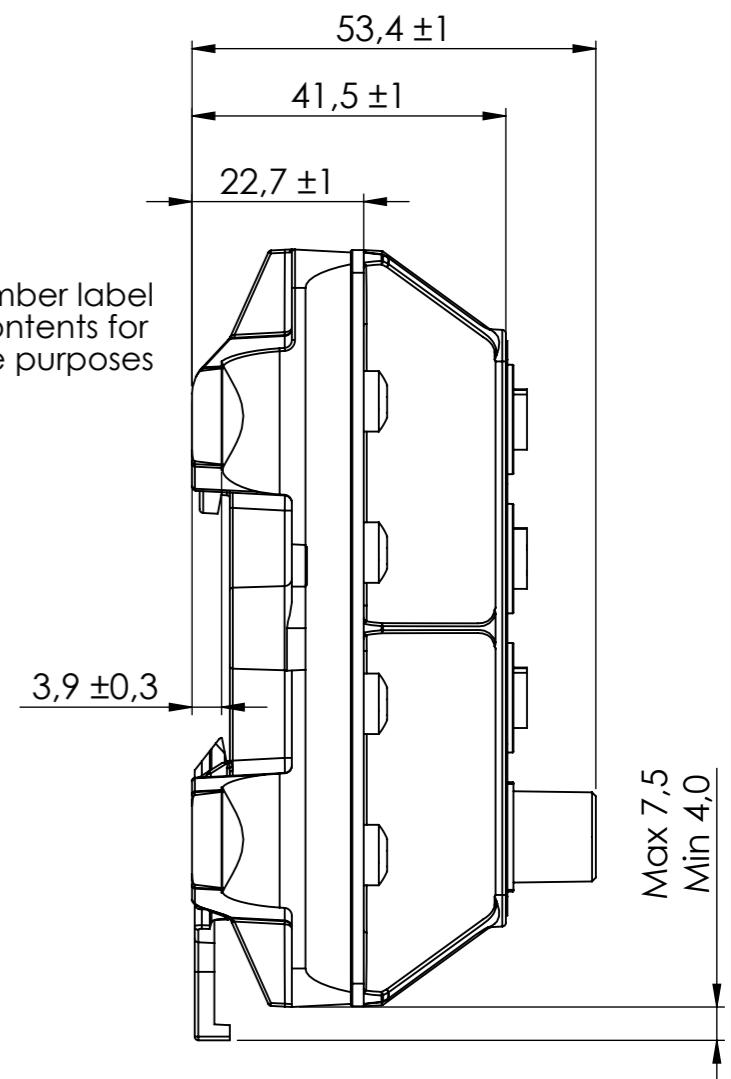
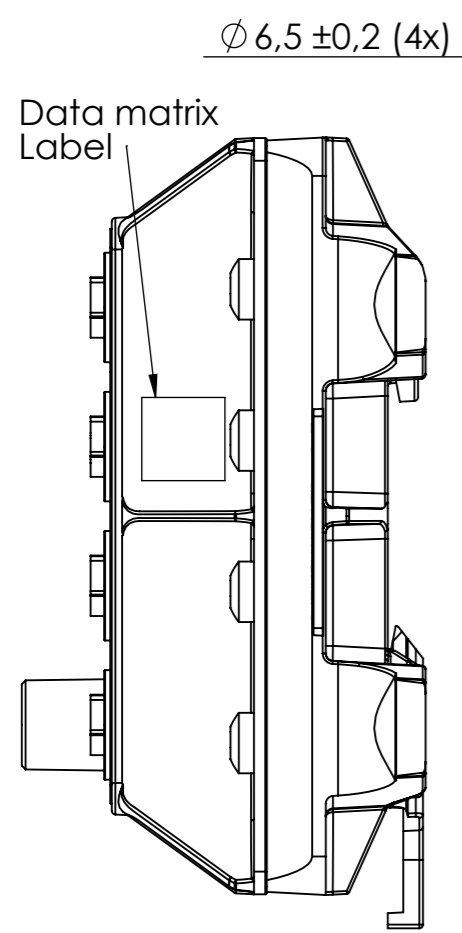
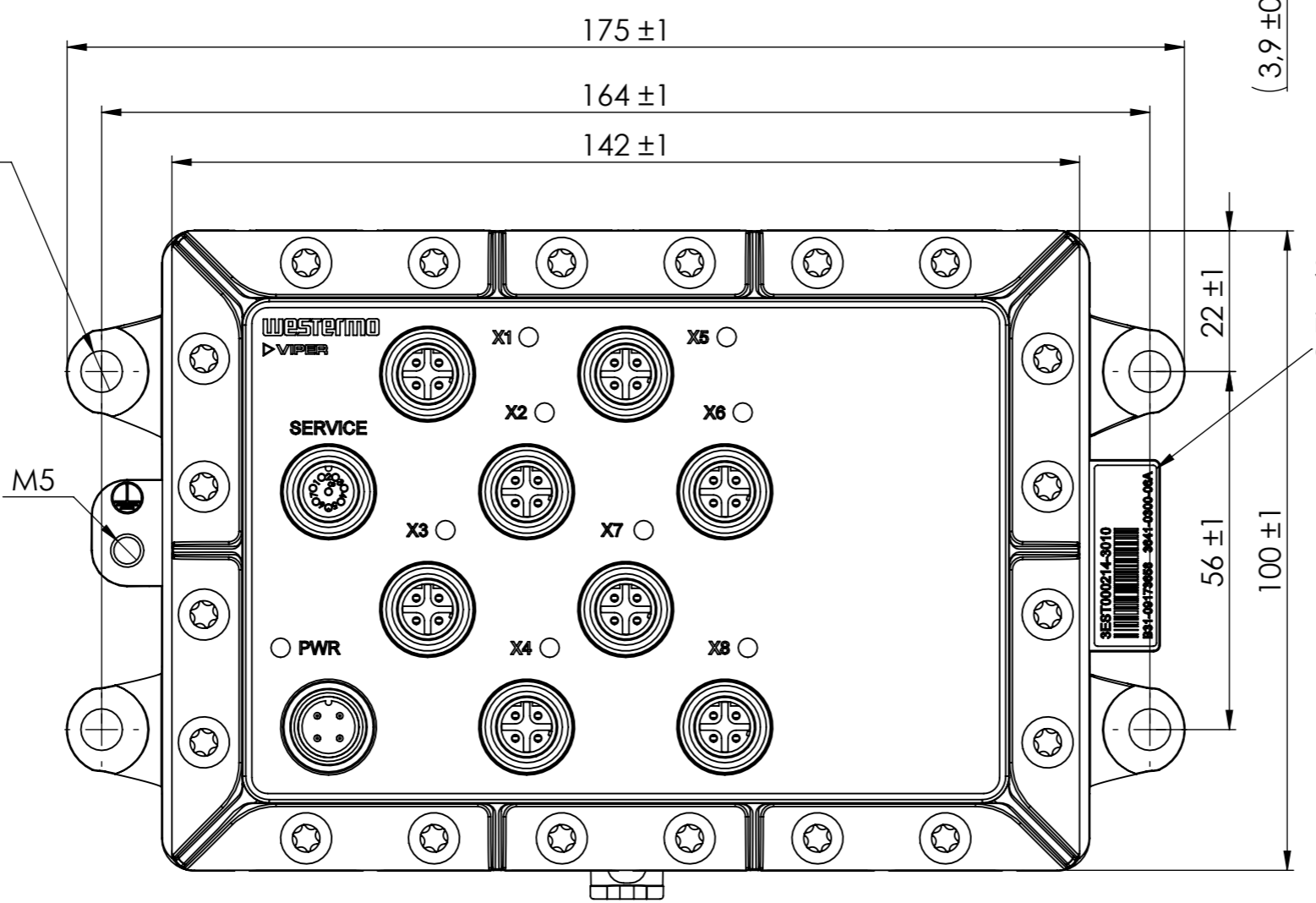
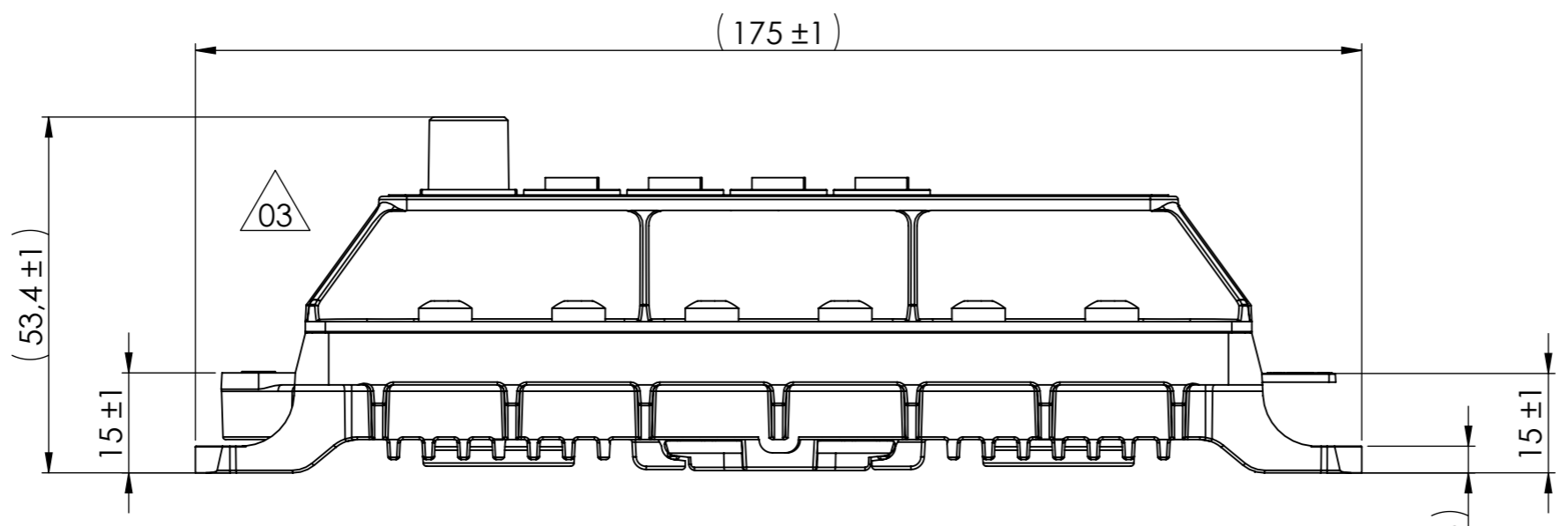
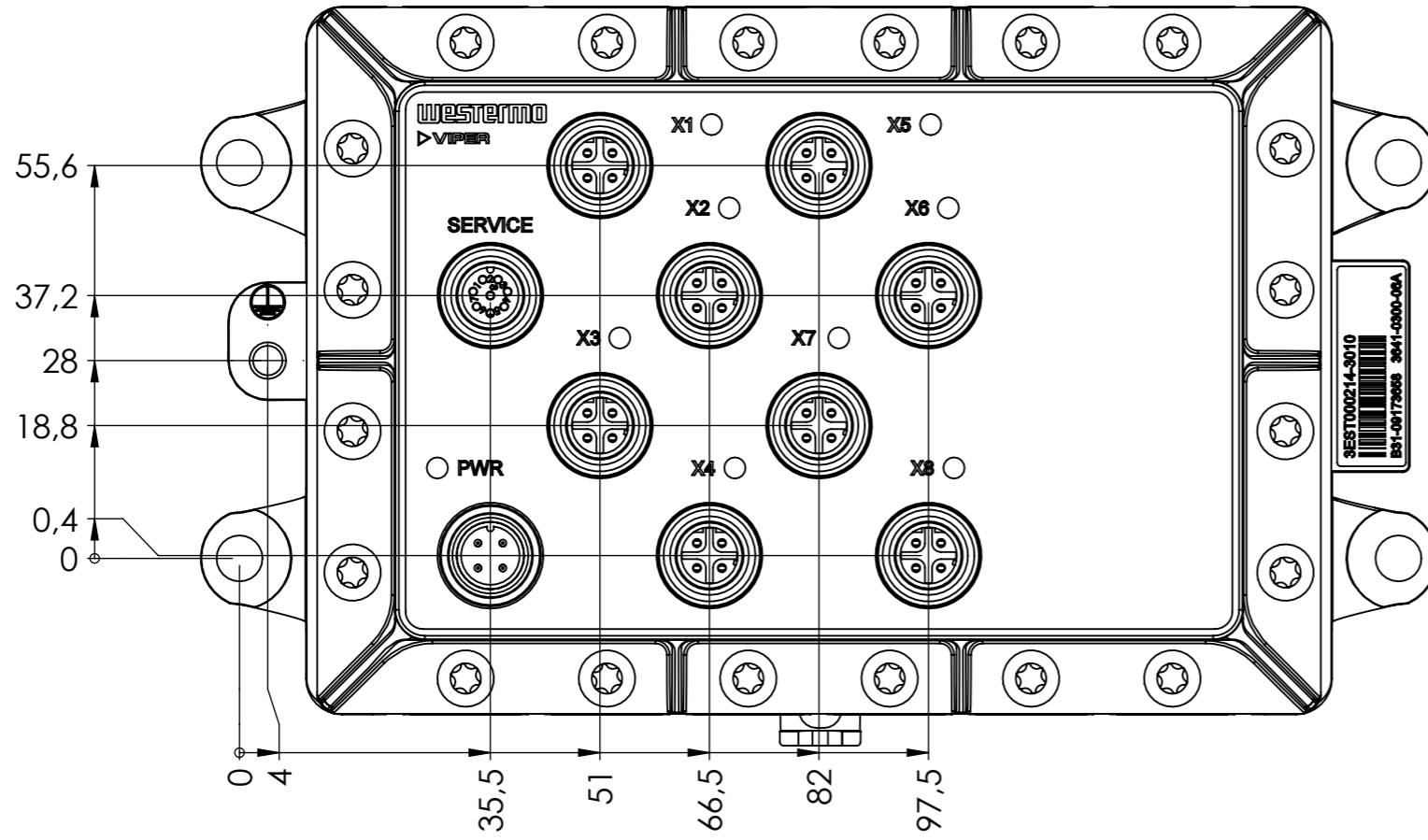


Rev	Description	Designer	Approved	Date
02	Den fanns tidigare som rev 01, så denna måste hoppa till 02	KTN	KLI	2019-06-03
03	Sheet 1: New View, New Sheet 2: View moved from sheet 1 to sheet 2.	KTN	KLI	2020-02-12
04	Change of overlay	ODB	KLI	2020-06-23



© 2020 Westermo Network Technologies AB - All rights reserved

Material/Notes		Notes		Tolerance ±1 mm	
WESTERMO		Denomination Viper008		Designer ODB	Approved KLI
Drawing No. 3641-0340-UD-04		Date 2020-06-23		Scale 1:1	Sheet 1(2)
				Status Approved	



Material/Notes		Notes		Tolerance ±1 mm	
WESTERMO	Denomination Viper008	Designer	Approved	Date	Scale
		ODB	KLI	2020-06-23	1:1
Drawing No. 3641-0340-UD-04				Status	2(2)
				Approved	