

Multi Band Directional Panel Antenna

ANT-LTE-PANEL

ANT-LTE-PANEL is a very compact directional panel antenna suitable for indoor and outdoor use. It covers GSM, UMTS, WLAN and LTE systems. The ANT-LTE-PANEL is supplied with a 30cm low loss fly lead and easily installed on a mast or for wall mounting.



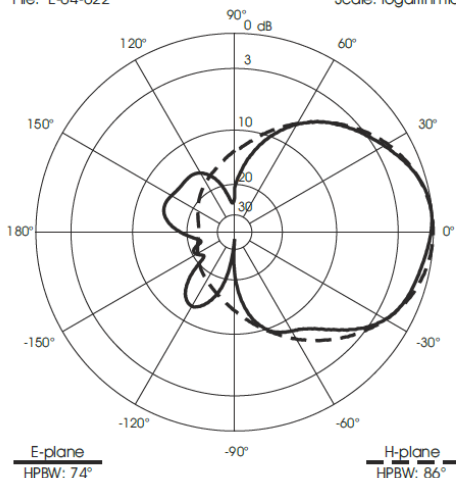
Ordering Information									
Art.no	Description								
9350-0310	ANT-LTE-PANEL, 2G/GPRS/3G/HSUPA/HSDPA/4G LTE antenna								
<ul style="list-style-type: none"> • Multi band support 2G, 3G and 4G • Suitable for indoor and outdoor use • 9 dBi gain • Easy and quick installation on a mast or on the wall • 20°C to 80°C operational temperature range 									
Specifications									
Electrical									
Type	Directional mini panel wideband								
Frequency	790-960Mhz & 1710-2700Mhz @ SWR ≤ 2								
Impedance	50Ω								
Polarisation	Linear Vertical								
Beam Width	See <i>Typical Radiation Patterns</i>								
Gain	<table border="0"> <tr> <td>6-7 dBi for LTE 800 & GSM</td> <td>790-960Mhz</td> </tr> <tr> <td>9 dBi for DCS</td> <td>1710-1880Mhz</td> </tr> <tr> <td>9 dBi for UMTS</td> <td>1920-2170Mhz</td> </tr> <tr> <td>8-9 dBi for LTE & WLAN</td> <td>2300-2700Mhz</td> </tr> </table>	6-7 dBi for LTE 800 & GSM	790-960Mhz	9 dBi for DCS	1710-1880Mhz	9 dBi for UMTS	1920-2170Mhz	8-9 dBi for LTE & WLAN	2300-2700Mhz
6-7 dBi for LTE 800 & GSM	790-960Mhz								
9 dBi for DCS	1710-1880Mhz								
9 dBi for UMTS	1920-2170Mhz								
8-9 dBi for LTE & WLAN	2300-2700Mhz								

Max Power @ 30 °C	30W @ 790-960Mhz LTE 800 & GSM 15W @ 1710-1880Mhz DCS 10W @ 1920-2170Mhz UMTs 10W @ 20300-2700Mhz LTE & WLAN
Mechanical	
Dimensions	154 x 134 x 46 mm excluding bracket
Weight	500g
Connector	TNC (f)
Cable Type/Length	Low Loss / 50cm fly lead, feeder cable available – see <i>Antenna Part Guide</i>
Material	RAL 7035 Light Grey thermoplastic UV stabilized, galvanized steel
Installation Type	Mast: Ø25-42 mm with U-bolt (included) Wall: mounting screw (not included)
Environmental	
Temperature	Operating -40°C to 80°C
Wind Load @150Km/h	40 N
Wind Resistance	180 Km/h
Wind Surface	0.02m ²

Radiation Patterns

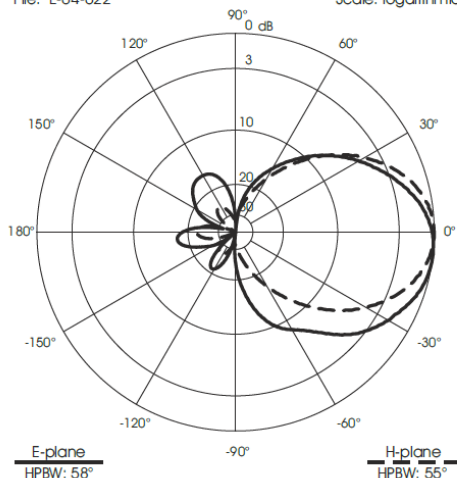
TYPICAL RADIATION PATTERN at 875 MHz

File: E-04-022 Scale: logarithmic



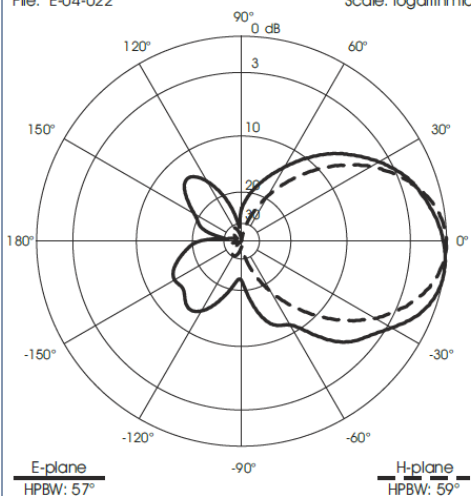
TYPICAL RADIATION PATTERN at 1795 MHz

File: E-04-022 Scale: logarithmic



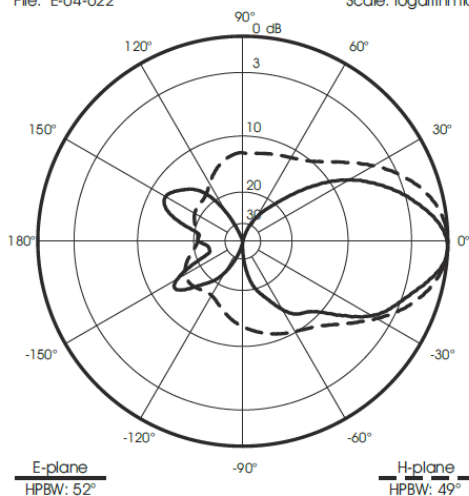
TYPICAL RADIATION PATTERN at 2045 MHz

File: E-04-022 Scale: logarithmic

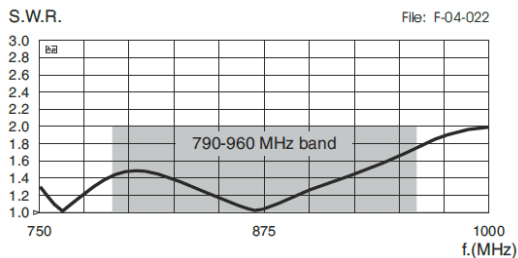


TYPICAL RADIATION PATTERN at 2500 MHz

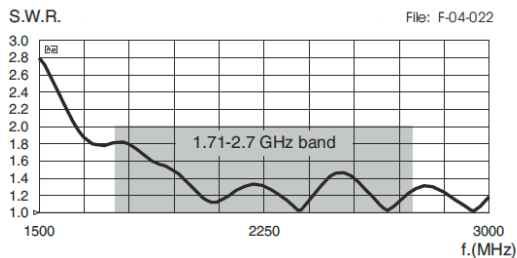
File: E-04-022 Scale: logarithmic



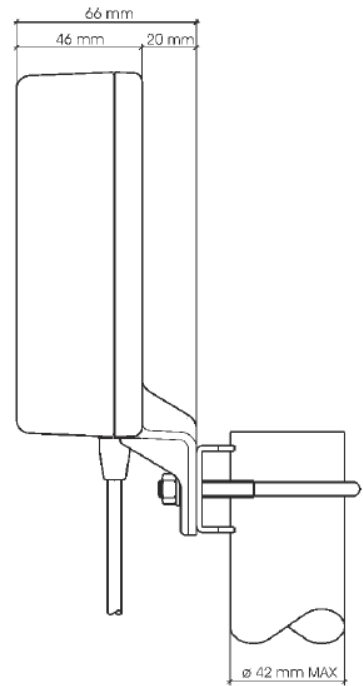
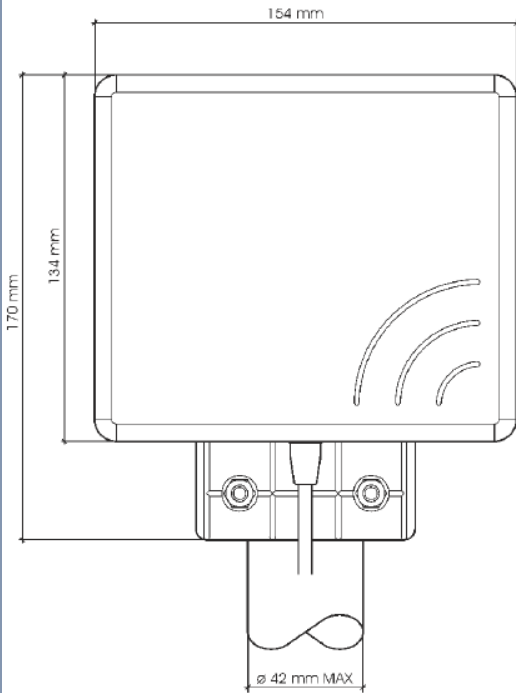
TYPICAL S.W.R. RESPONSE



TYPICAL S.W.R. RESPONSE



Mast Mount Installation

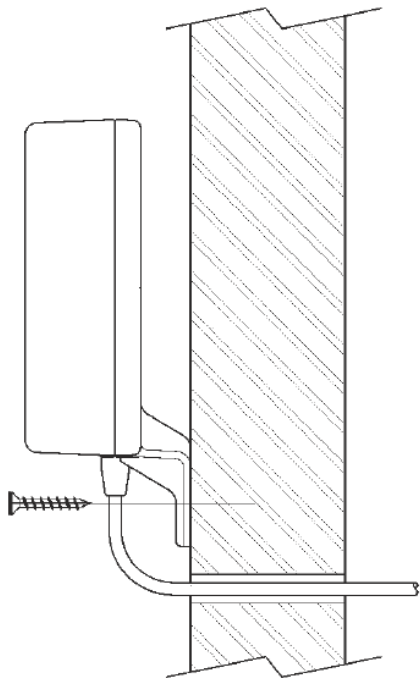


IMPORTANT NOTE:

Ensure the mast is suitably grounded.

Adequate surge protection is the responsibility of the installer.

Wall Mount Installation



It is recommended that the cable is installed internally to provide adequate protection.

Note: Screws not included

Additional Part Required

See Antenna Part Guide